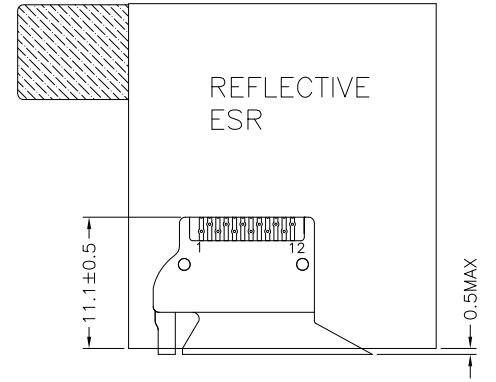
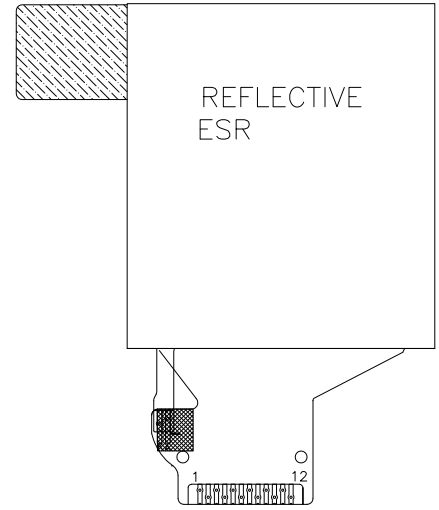
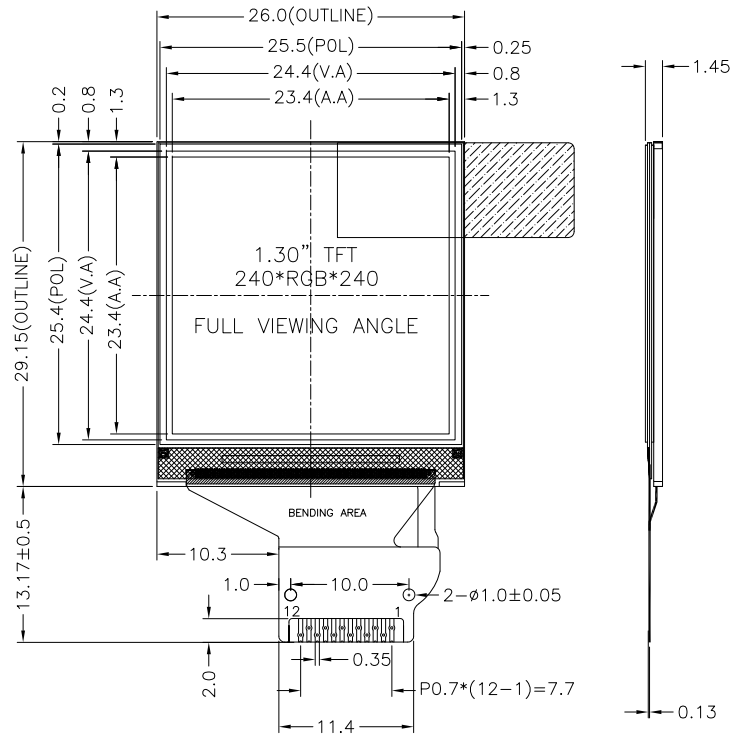
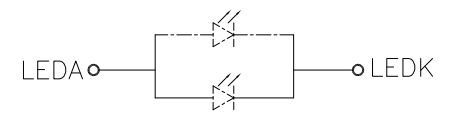


PIN DESCRIPTION

PIN	SYMBOL
1	GND
2	LEDK
3	LEDA
4	VDD
5	GND
6	GND
7	D/C
8	CS
9	SCL
10	SDA
11	RESET
12	GND




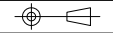
BENDING DIAGRAM FOR REFERENCE



BACKLIGHT CIRCUIT DIAGRAM

NOTES:

1. DISPLAY TYPE: TFT, TRANSMISSIVE, NORMALLY BLACK
2. OPERATING VOLTAGE: VDD=2.8V
3. VIEWING DIRECTION: FULL VIEWING ANGLE
4. IC DRIVER: ST7789V2
5. OPERATING TEMP.: -20°C ~ 70°C
6. STORAGE TEMP.: -30°C ~ 80°C
7. LED BACKLIGHT: 2-CHIP WHITE LED, If=40mA, Vf=3.0V
8. TOP POLARIZER SURFACE TREATMENT: ANTI-GLARE
9. SURFACE LUMINANCE: 350CD/M<sup>2</sup>(TYP)
10. GENERAL TOLERANCE: ±0.2MM
11. ROHS COMPLIANT

 <b>MULTI-INNO TECHNOLOGY CO., LTD.</b>			
DRAWN BY:	CAROL 2019.08.02		MODULE P/N:
CHECKED BY:		SCALE : 1/1	MIO133AT-3
APPROVED BY:		UNIT: mm	DESCRIPTION:
VER.	01	VERSION NO:	TFT MODULE

01	FIRST ISSUE	CAROL	2019.08.02
VER.	REVISED DESCRIPTION	REVISER	DATE